

# Dynacom MS2040

## Multi IO Digital Controller

**MS2040:** 10 Digital Inputs And 10 Digital Outputs.

**Monitor Digital Input:** Panic Button, Temperature Sensor, Door Sensor,...etc.

**Remote Control Outputs :** Siren, Alarm, Light, Fan

Report E-map monitoring and email alert.

Master & Slave structure (Max 30 DI and 30 DO).

Sensor text overlay (MS2040 DIO controller with temperature / humidity / CO2 sensors, shown real room status from sensors).

Alarm alert (screen alerts from events - unregistered user, door open too long).

Setup trigger events between terminals thru TCP/IP.

**For Example:**

(1) If temperature in the server room is too high, triggers security office's alarm and also server room's air condition (outputs).

(2) If humidity in green house is low, trigger water spray (outputs), air quality low will trigger air cycling (outputs).



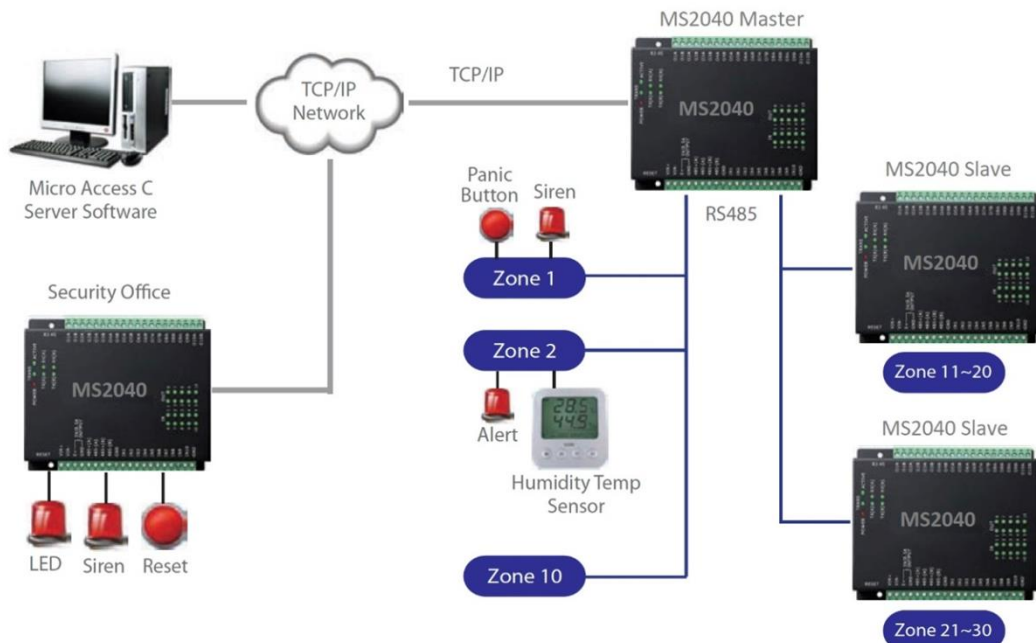
DIO controller is designed for monitor digital inputs and remote control digital outputs.

MS2040 : 10 digital inputs and 10 digital outputs.

Monitor digital inputs : panic button, temperature sensor, door sensor,...etc.

Remote control outputs : siren, alarm, light, fan Setup trigger events between terminals thru TCP/IP.

For example : If temperature in the server room is too high, triggers security office's alarm and also server room's air condition (outputs) If humidity in green house is low, trigger water spray (outputs), air quality low will trigger air cycling (outputs) Report E-map monitoring and email alert.



## Hardware

|                       |                         |
|-----------------------|-------------------------|
| CPU                   | 16bit / 100MHz          |
| Memory                | 512 KB ROM & 2 MB SDRAM |
| Watch Dog             | System protection       |
| Power Requirement     | DC 9 ~ 30 V, 500 mA     |
| Operation Temperature | 0°C ~ 55°C              |
| Operation Humidity    | 5% ~ 85%RH              |
| Storage Temperature   | -20°C ~ 75°C            |
| Dimension             | 135 x 115 x 35 mm       |
| Weight                | 525 g.                  |

## Interface

|                    |   |           |                |         |
|--------------------|---|-----------|----------------|---------|
| Ethernet RJ45 port | 10 / 100Base-T, Half / Full duplex, Auto Cross Over, 1.5KV magnetic protected       |           |                |         |
| Serial             | Port  | Interface | Port Type      | Signals |
|                    | COM1  | RS-485    | Screw Terminal | D+, D-  |
|                    | COM2  | RS-485    | Screw Terminal | D+, D-  |
| I/O port           | 10 Channel I/O : 10 isolated D/I an 10 isolated D/O                                 |           |                |         |
|                    | Isolated DI: Optical Isolation: 2,500VDC; Overload protection: 70VDC; Dry Contact   |           |                |         |
|                    | Isolated DO: Optical Isolation: 2,500VDC; Contact rating: AC: 120V@0.5A; DC: 30V@1A |           |                |         |
|                    | Total switching time: 10msec  |           |                |         |
| Ethernet Setting   | Static IP / DHCP Client / PPPoE   |           |                |         |
| Serial Setting     | Parity Check: None, Even, Odd, Mark, Space  |           |                |         |
|                    | Data Bits: 5, 6, 7, 8   |           |                |         |
|                    | Stop Bits: 1, 2 Flow Control; RTS / CTS, XON / XOFF                                 |           |                |         |
| Operation System   | Windows XP / 2000 / NT / 95 / 98, Linux, UNIX                                       |           |                |         |
| Protocol           | TCP, IP, UDP, Telnet, ARP, DHCP, ICMP, SMTP, PPPoE, HTTP, UNIX                      |           |                |         |
| Operation Mode     | Support TCP / UDP Server, Client mode.  |           |                |         |
|                    | User name & Password protected for web management.                                  |           |                |         |
|                    | Bulit-in HTTP server for set up and remote management thru browsers.                |           |                |         |
|                    | Support system backup and restore.  |           |                |         |
|                    | Support Windows 95 / 98 / ME / NT / 2000 / XP / 2003 Virtual COM drivers.           |           |                |         |