

Dynacom WQ965

IR Bullet Motorized Auto Focus IP Camera



Key features

- 1/2.0" Progressive Scan CMOS
- Motorized Lens 2.8-12mm MP Auto Focus
- 3D DNR (Digital Noise Reduction)
- True WDR (Wide Dynamic Range)
- Privacy Video Mask feature
- Multiple Video Stream (H.265/H.264/MJPEG)
- H.265/H.264 High/Main/Baseline Profile, MJPEG codecs
- Micro SD recording with max 64GB SDHC card

Dynacom WQ965 series High Resolution Motorized IR LED Bullet IP Camera equips with Sony back illuminated CMOS sensor.

Built-in with an outstanding processing engine, the camera delivers 5 Megapixel streaming that provides more times details of 720p resolution without sacrificing the frame rate.

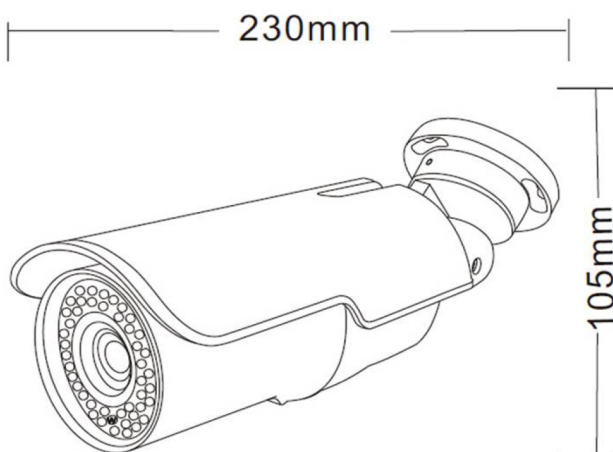
Other intelligent features, such as region of interest and privacy masks windows, further extend the range of camera application.

The new generation built in long range IR LED module emits sufficient infrared lights to light up the area under surveillance without the help of any additional lighting devices.

The cable management bracket not only saves the time on installation but also keeps the cables from sabotage.

With the international IP66 rating and weather-proof design, the Bullet IP camera can also perform stably in harsh environments.

Dimension



Dynacom WQ965 - IR LED Motorized Bullet IP Camera

Camera		WQ965
Image Sensor		1/2.0" Progressive Scan CMOS
Effective Pixels		5M (2560x1920)
Minimum Illumination	Color	0,1 lux
	B/W	0 lux
Shutter Speed		1/25 ~ 1/10000 sec.
Lens		
Lens		Vari-focal /Motorized
Focal Length		2.8 - 12 mm
F Number		F:1/2
FOV		87° ~ 35
Image		
Max. Resolution		5M (2560x1920)
Iris Control		DC-iris / P-iris
DNR		3D
BLC		Support
Defog		Support
ICR		Auto/Manual
Video Mask		4 Areas
Wide Dynamic Range		Support
Motion Detection		Support
Audio compression		G.711, G.726
Network		
Interface		1 Ethernet (10/100 Base-Tx) RJ-45 Connector
Video Compression		H.265/H.264 High/Main/Baseline Profile, MJPEG
Bitrate (CBR/VBR)		32 Kbps-16 Mbps adjustable
Video Streaming		MJPEG/H.264 /H.265 5M @25 fps
Network Protocols		IPv4/v6, HTTP,HTTPS, TCP, UDP, RTP, RTSP, SNMP, ICMP, IGMP, DNS, DynDNS, DHCP, NTP, PPPoE, ONVIF, Unicast and Multicast support.
Security		HTTPS / IEEE 802.1X
Built in Web Server		Support / Dynamic IP / Static IP
Web language		English / Chinese / Turkish
Alarm	In	1
	Out	1
Audio	In	1
	Out	1
BNC Output		Opt.
Reset Button		Support
Edge Storage		Micro SD card max 64GB
Mechanical		
	Working Distance	60 m
Built-in IR Illuminator*	Wavelength	850 nm
	Number of LEDs	48 pcs
Connector		Alarm, Power, Ethernet, Reset, Audio
General		
Operating Temperature	Starting Temperature	-30 °C – 60 °C (-22 °F – 140 °F)
	Working Temperature	-40 °C – 60 °C (-40 °F – 140 °F)
Operating Humidity		0% - 90% RH
Ingress Protection		IP66
Product Dimensions		Ø105x230mm
Product Weight		940g
Power Source		DC 12V / PoE (IEEE 802.3af)
Power Consumption		5W(IR LED OFF) ; 8W (IR LED ON)
Regulatory		CE / FCC



No.15-1 Zhonghua Road, Hsinchu Industrial Park,
Hukou, Hsinchu, 30352, Taiwan
31082 San Antonio St, Hayward, CA, 94544, USA
www.dynacom.pro info@dynacom.pro