

Dynacom WQ2ZF

Motorized IR LED Auto Focus Dome IP Camera



■ Key features

- 1/2.8" Progressive Scan CMOS
- Motorized Lens 2.8-12mm MP Auto Focus
- 3D DNR (Digital Noise Reduction)
- True WDR (Wide Dynamic Range)
- Privacy Video Mask feature
- Multiple Video Stream (H.264/MJPEG)
- H.264 High/Main/Baseline Profile, MJPEG codecs
- Micro SD recording with max 64GB SDHC card
- ROI (Region Of Interest) feature

Dynacom WQ2ZF series High Resolution Motorized IR LED Dome IP Camera equips with Sony Exmor back illuminated CMOS sensor.

Built-in with an outstanding processing engine, the camera delivers 2 Megapixel streaming that provides more times details of 720p resolution without sacrificing the frame rate.

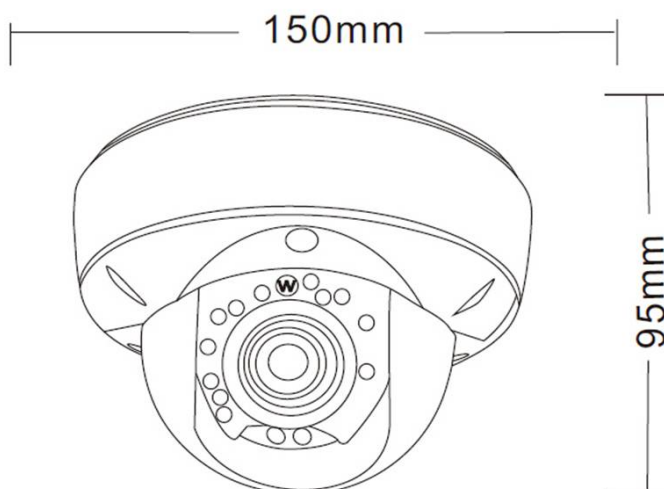
Other intelligent features, such as region of interest and privacy masks windows, further extend the range of camera application.

The new generation built in long range IR LED module emits sufficient infrared lights to light up the area under surveillance without the help of any additional lighting devices.

The cable management bracket not only saves the time on installation but also keeps the cables from sabotage.

With the international IP66 rating and weather-proof design, the Bullet IP camera can also perform stably in harsh environments.

■ Dimensions



Dynacom WQ2ZF - IR LED Motorized Dome IP Camera

| Camera | | WQ2ZF |
|--------------------------|----------------------|--|
| Image Sensor | | 1/2.8" Progressive Scan CMOS |
| Effective Pixels | | 2M (1920x1080) |
| Minimum Illumination | Color | 0,1 lux |
| | B/W | 0 lux |
| Shutter Speed | | 1/25 ~ 1/10000 sec. |
| Lens | | |
| Lens | | Vari-focal /Motorized |
| Focal Length | | 2.8 - 12 mm |
| F Number | | F:1/2 |
| FOV | | 87° ~ 35 |
| Image | | |
| Max. Resolution | | 1080p (1920x1080) |
| Iris Control | | DC-iris / P-iris |
| DNR | | 2D/3D |
| BLC | | Supported |
| ROI | | Supported |
| ICR | | Auto/Manual |
| Video Mask | | 4 Areas |
| Wide Dynamic Range | | 120dB |
| Audio compression | | G.711, RAW_PCM |
| Network | | |
| Interface | | 1 Ethernet (10/100 Base-Tx) RJ-45 Connector |
| Video Compression | | H.264 High/Main/Baseline Profile, MJPEG |
| Bitrate (CBR/VBR) | | 32 Kbps-16 Mbps adjustable |
| Video Streaming | | MJPEG/H.264 2M @25/30 fps |
| Network Protocols | | IPv4/v6, HTTP,HTTPS, TCP, UDP, RTP, RTSP, SNMP, ICMP, IGMP, DNS, DynDNS, DHCP, NTP, PPPoE, ONVIF, Unicast and Multicast supported. |
| Security | | HTTPS / IEEE 802.1X |
| Built in Web Server | | Support / Dynamic IP / Static IP |
| Web language | | English / Italian / Portuguese / Chinese / Turkish / Spanish |
| Alarm | In | 1 |
| | Out | 1 |
| Audio | In | 1 |
| | Out | 1 |
| BNC Output | | Opt. |
| Reset Button | | Supported |
| Edge Storage | | Micro SD card max 64GB |
| Mechanical | | |
| Built-in IR Illuminator* | Working Distance | 15 m |
| | Wavelength | 850 nm |
| | Number of LEDs | 18 pcs |
| Connector | | Alarm, Power, Ethernet, Reset, Audio |
| General | | |
| OperatingTemperature | Starting Temperature | -30 °C – 60 °C (-22 °F – 140 °F) |
| | Working Temperature | -40 °C – 60 °C (-40 °F – 140 °F) |
| Operating Humidity | | 0% - 90% RH |
| Ingress Protection | | IP66 |
| Product Dimensions | | Ø95x150mm |
| Product Weight | | 690g |
| Power Source | | DC 12V / PoE (IEEE 802.3af) |
| Power Consumption | | 3W (IR LED OFF) ; 5W (IR LED ON) |
| Regulatory | | CE / FCC |