

## Dynacom WQ950ZS

Motorized IR LED Auto Focus Bullet IP Camera



### ■ Key features

- 1/1.8" Sony IMX 178 CMOS
- Motorized Lens 3.6-11 mm MP Auto Focus
- 3D DNR ( Digital Noise Reduction )
- True WDR ( Wide Dynamic Range )
- Privacy Video Mask feature
- Multiple Video Stream (H.265/H.264/MJPEG)
- H.265 / MJPEG / H.264 / Main Profile / High Profile codecs
- Micro SD recording with max 64GB SDHC card
- ROI ( Region Of Interest ) feature
- DEFOG

Dynacom WQ950ZS series High Resolution Motorized IR LED Dome IP Camera equips with Sony IMX 178 CMOS CMOS sensor.

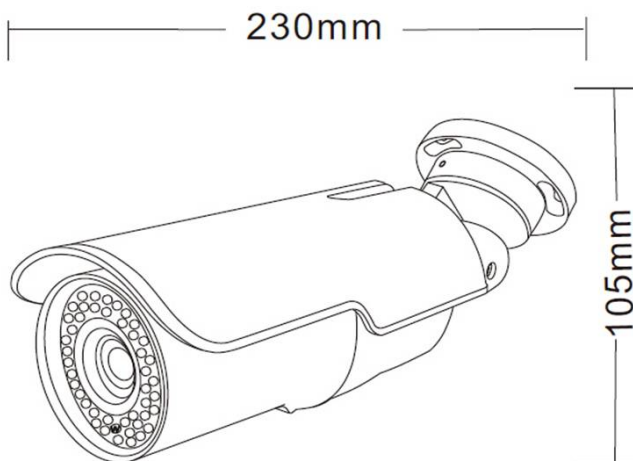
Other intelligent features, such as region of interest and privacy masks windows, further extend the range of camera application.

The new generation built in long range IR LED module emits sufficient infrared lights to light up the area under surveillance without the help of any additional lighting devices.

The cable management bracket not only saves the time on installation but also keeps the cables from sabotage.

With the international IP66 rating and weather-proof design, the Bullet IP camera can also perform stably in harsh environments.

### ■ Dimension



# Dynacom WQ950ZS - IR LED Motorized Bullet IP Camera

<b>Camera</b>		<b>WQ950ZS</b>
Image Sensor		1/1.8" Sony IMX 178 CMOS
Effective Pixels		5M (2560x1920)
Minimum Illumination	Color	0,1 lux
	B/W	0,01 lux
Shutter Speed		1/1 ~ 1/10000 sec.
<b>Lens</b>		
Lens		Vari-focal /Motorized
Focal Length		3.6 - 11 mm
F Number		F:1/2
FOV		87° ~ 35
<b>Image</b>		
Max. Resolution		5M (2560x1920 )
Iris Control		DC-iris / P-iris
DNR		2D/3D
BLC		Supported
ROI		Supported
Defog		Supported
ICR		Auto/Manual
Video Mask		4 Areas
Wide Dynamic Range		120dB
Audio compression		G.711, RAW_PCM
<b>Network</b>		
Interface		1 Ethernet (10/100 Base-Tx) RJ-45 Connector
Video Compression		H.265 / MJPEG / H.264 (MPEG-4 Part 10/AVC) / Main Profile / High Profile
Bitrate ( CBR/VBR )		32 Kbps-16 Mbps adjustable
Video Streaming		5M (2560x1920) @25 fps / 2M (1920x1080) @30 fps
Network Protocols		IPv4/v6, ARP, HTTP,HTTPS, TCP/IP, UDP, RTP, RTSP, SNMP, SMTP, ICMP, IGMP, UPnP, DHCP, FTP, NTP, PPPoE, Qos, ONVIF, Unicast ve Multicast destekler.
Security		HTTPS / IEEE 802.1X
Built in Web Server		Support / Dynamic IP / Static IP
Web language		English / Italian / Portuguese / Chinese / Turkish / Spanish
Alarm	In	1
	Out	1
Audio	In	1
	Out	1
BNC Output		Opt.
Reset Button		Supported
Edge Storage		Micro SD card max 64GB
<b>Mechanical</b>		
	Working Distance	50 m
Built-in IR Illuminator*	Wavelength	850 nm
	Number of LEDs	42 pcs
Connector		Alarm, Power, Ethernet, Reset, Audio
<b>General</b>		
OperatingTemperature	Starting Temperature	-.30 °C – 60 °C (-22 °F – 140 °F)
	Working Temperature	-40 °C – 60 °C (-40 °F – 140 °F)
Operating Humidity		0% - 90% RH
Ingress Protection		IP66
Product Dimensions		Ø105x230mm
Product Weight		940g
Power Source		DC 12V / PoE (802.3af)
Power Consumption		5W(IR LED OFF) ; 8W (IR LED ON)
Regulatory		CE / FCC